

Basement Plan

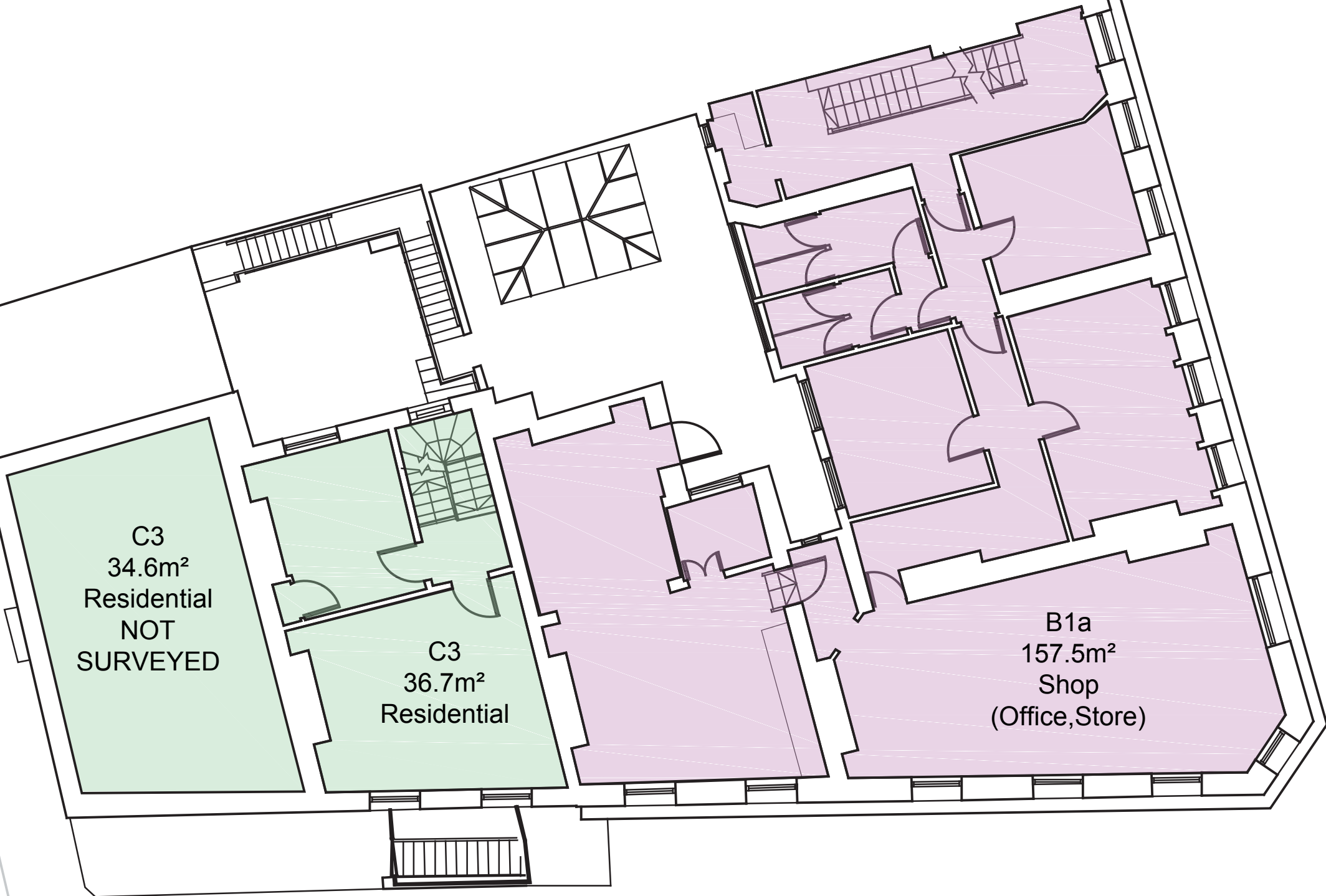


Ground Floor Plan

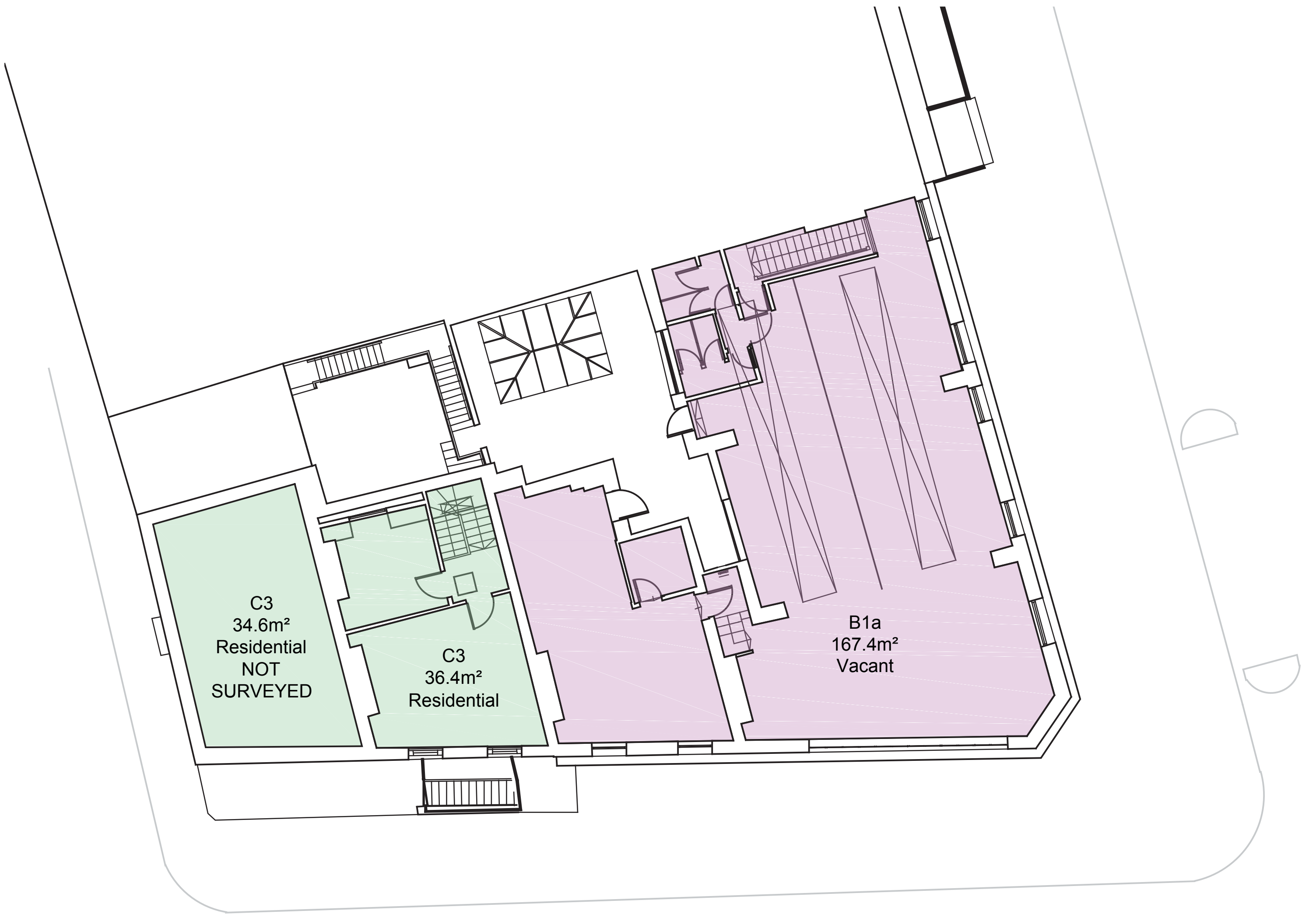
Is this/
correct
lawful
use??



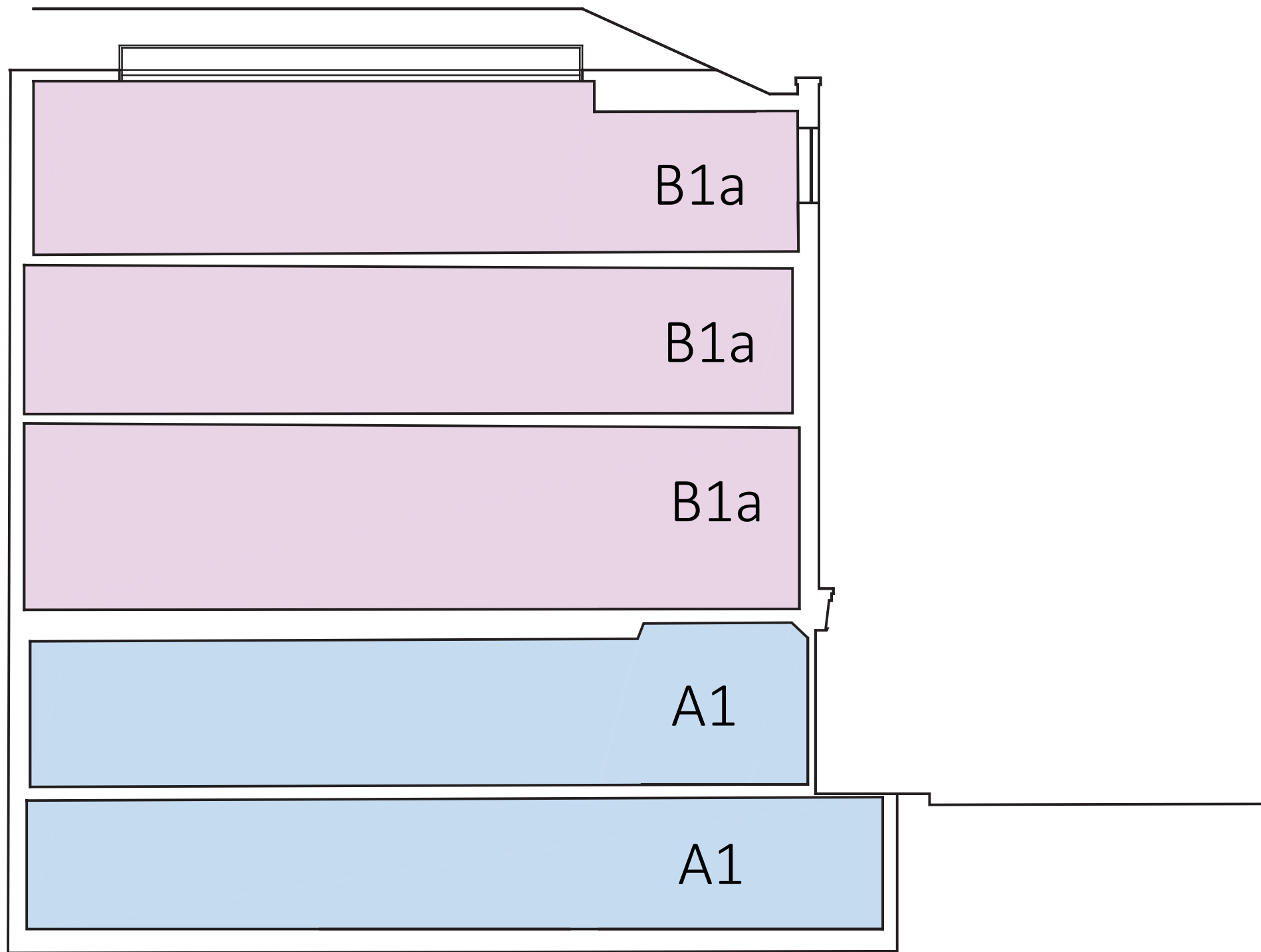
First Floor Plan



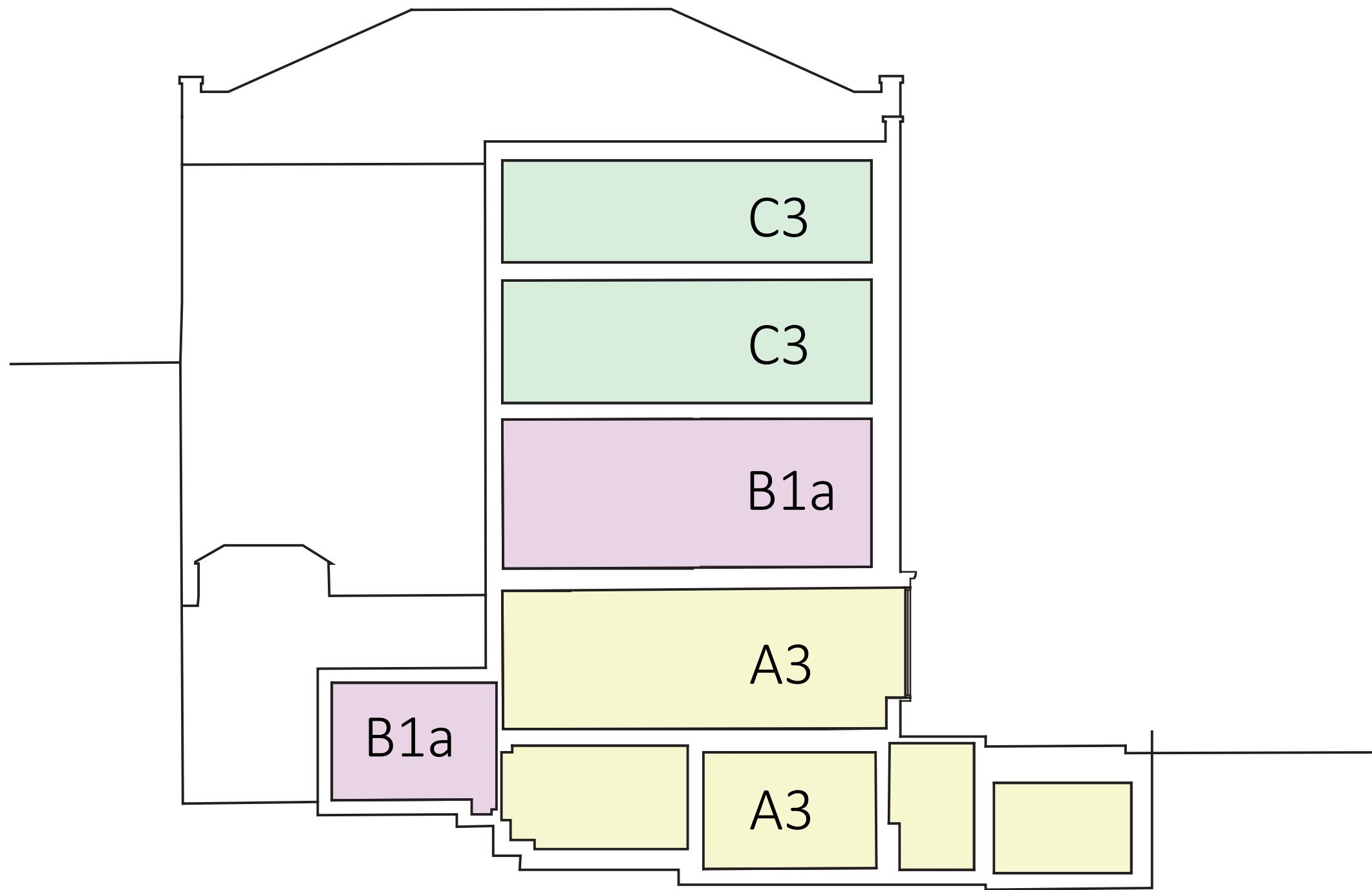
Second Floor Plan



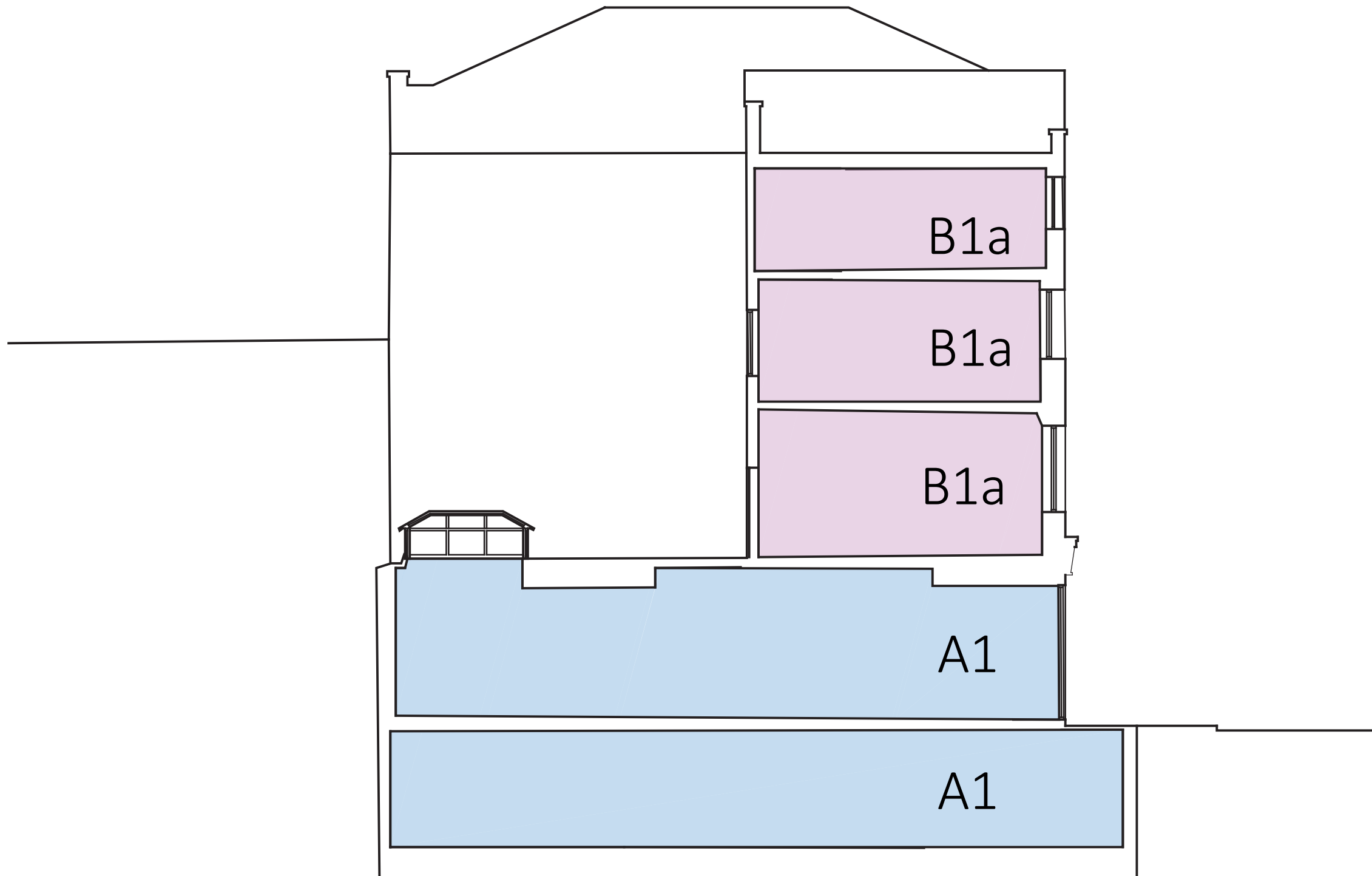
Third Floor Plan



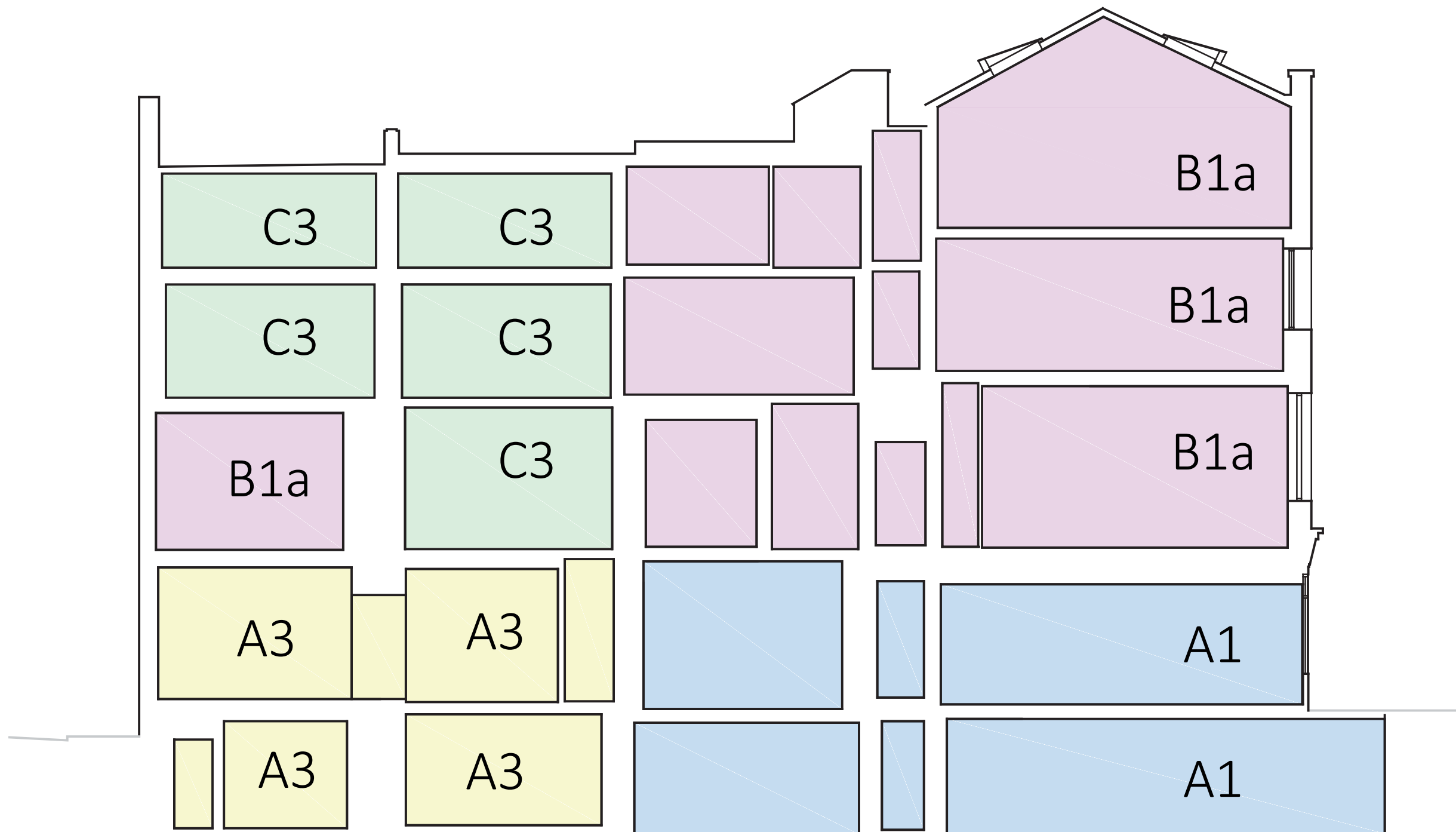
Section B-B



Section E-E



Section C-C



Section A-A